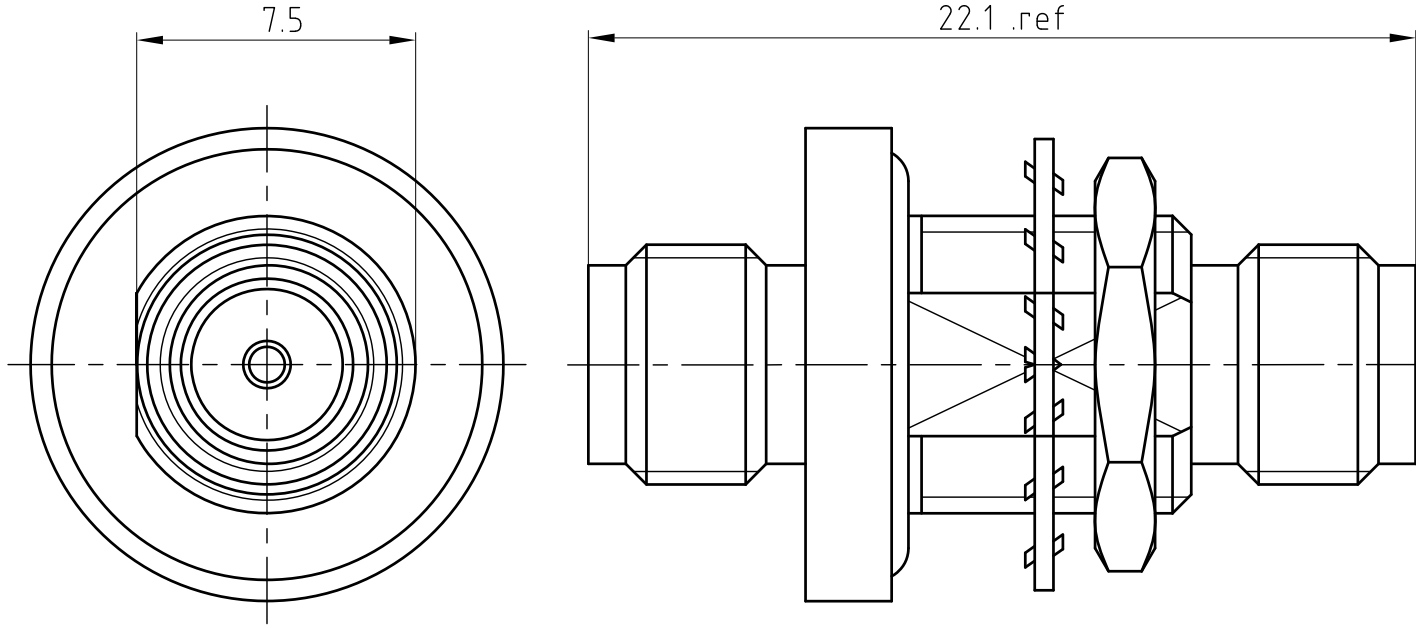


NOTICE OF PROPRIETARY RIGHTS: THIS DRAWING CONTAINS CONFIDENTIAL INFORMATION PROPRIETARY TO Somefly technology Co.,Ltd. IT MUST NOT BE REPRODUCED OR DISCLOSED TO OTHERS OR USED IN ANY OTHER WAY, IN WHOLE OR PART EXCEPT AS AUTHORIZED IN WRITING BY Somefly technology Co.,Ltd.

RoHS compliant

SYM	REVISION	DESCRIPTION	DFTM	DATE	APPD	APPD



技术要求:

- 1.界面符合(Interface): IEC61169-15
- 2.电气性能(Electrical Characteristics):
  - 2.1.阻抗(Impedance): 50Ω
  - 2.2.频率范围(Frequency Range): DC-18GHz
  - 2.3.驻波(Vswr): 1.25
  - 2.4.绝缘电阻(Insulation Resistance): 5000MΩ
  - 2.5.气密度(Airtightness): 1\*10<sup>-7</sup> CC/SEC of Helium at 1ATM
- 3.环境性能(Environmental Characteristics):
  - 3.1.工作温度(Operating Temperature): -40°C TO +85°C
  - 3.2.满足RoHS要求(RoHS compliant)
- 4.机械性能(Mechanical Characteristics):
  - 4.1.机械寿命(Mechanical Durability): 500 cycles

MATERIAL:	UNLESS OTHERWISE SPECIFIED	DFTM: Huang	Somefly technology Co.,Ltd						
	ALL DIMENSIONS ARE IN mm MACHINED SURFACES FINISH 1.6RMS MAX. REMOVE ALL BURRS 0.15x45°MAX. BREAK MACHINE CORNERS 0.15x45°D MAX. FILLET R. TOLERANCES ON DECIMALS .X ±0.2 .XX ±0.1 ANGLES±2° FRACTIONS±N/A	DATE: 2023.12.21	CHKD HeTong	Adapter,SMA Female to SMA Female Bulkhead Mount Adapter, with O-ring					
USED ON:		DATE: 2023.12.21	APPD: Stone	SMA-KLK 18GHz					
SCALE: 5/1	DWG SIZE A4	DO NOT SCALE DRAWING	SURFACE (mm <sup>2</sup> ) XX	WEIGHT (g) XX	DATE: 2023.12.21	SHT	273-26L0N-NS	REV	A.0