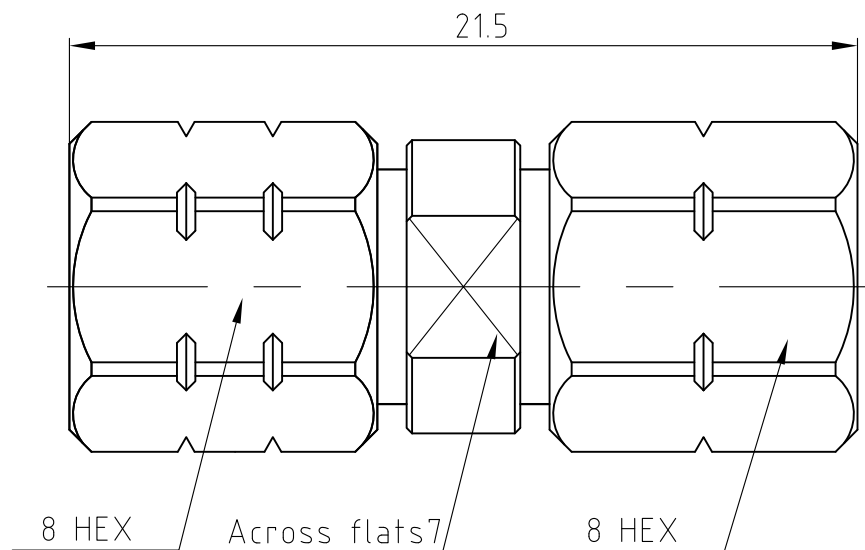


NOTICE OF PROPRIETARY RIGHTS: THIS DRAWING CONTAINS CONFIDENTIAL INFORMATION PROPRIETARY TO Somefly technology Co.,Ltd.
IT MUST NOT BE REPRODUCED OR DISCLOSED TO OTHERS OR USED IN ANY OTHER WAY, IN WHOLE OR PART EXCEPT AS AUTHORIZED
IN WRITING BY Somefly technology Co.,Ltd.

RoHS compliant

SYM	REVISION	DESCRIPTION	DFTM	DATE	APPD	APPD



NOTES:

1. MATERIALS AND FINISHES:
 BODY - STAINLESS STEEL, PASSIVATED
 OUTER CONTACT - STAINLESS STEEL, PASSIVATED
 INNER CONTACT - BERYLLIUM COPPER, GOLD PLATING
 INSULATOR - PEI, NATURAL
2. ELECTRICAL:
 A. IMPEDANCE: 50 OHM
 B. FREQUENCY RANGE: DC - 50 GHz
 C. VSWR: 1.35 MAX.
 D. INSERTION LOSS: $0.05 \times \sqrt{f(\text{GHz})}$ dB MAX.
 E. VOLTAGE RATING: 500 VRMS
 F. DIELECTRIC WITHSTANDING VOLTAGE: 2000 VRMS MIN.
 G. INSULATION RESISTANCE: 5000 MΩ MIN.
 H. INTERMODULATION 3RD ORDER: N/A dBc MAX. (2 X 43 dBm)

3. MECHANICAL:
 A. DURABILITY: 100 CYCLES MIN.
 B. TEMPERATURE RANGE: -40°C TO +85°C
 C. COMPATIBLE WITH ALL STANDARD: IEC61169-32, IEC61169-40

CUSTOMER OUTLINE DRAWING
ALL OTHER SHEETS ARE FOR INTERNAL USE ONLY

MATERIAL:	UNLESS OTHERWISE SPECIFIED		DFTM: Huang		Somefly technology Co.,Ltd	
	ALL DIMENSIONS ARE IN mm MACHINED SURFACES FINISH 1.6RMS MAX. REMOVE ALL BURRS 0.15×45°MAX. BREAK MACHINE CORNERS 0.15×45°D MAX. FILLET R. TOLERANCES ON DECIMALS .X ±0.2 .XX ±0.1 ANGLES±2° FRACTIONS±N/A		DATE: 2022.05.23	185mm公头转2.4mm公头 适配器		
			CHKD HeTong	185/2.4-JJ		
USED ON:	DO NOT SCALE DRAWING		DATE: 2022.05.23	APPD: Stone	SHT	
SCALE: 5/1	DWG SIZE: A4	SURFACE (mm ²): XX	WEIGHT (g): XX	DATE: 2022.05.23	SHT	178-A7006-CS REV A.0