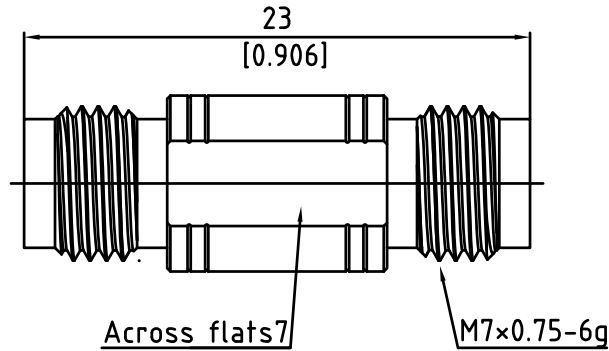


1 2 3 4 5 6
 NOTICE OF PROPRIETARY RIGHTS: THIS DRAWING CONTAINS CONFIDENTIAL INFORMATION PROPRIETARY TO Somefly technology Co.,Ltd.
 IT MUST NOT BE REPRODUCED OR DISCLOSED TO OTHERS OR USED IN ANY OTHER WAY, IN WHOLE OR PART EXCEPT AS AUTHORIZED
 IN WRITING BY Somefly technology Co.,Ltd.

RoHS compliant

| SYM | REVISION | DESCRIPTION | DFTM | DATE | APPD | APPD |
|-----|----------|-------------|------|------|------|------|
| | | | | | | |
| | | | | | | |



NOTES:
 1. MATERIALS AND FINISHES:
 BODY - STAINLESS STEEL, PASSIVATED
 OUTER CONTACT - STAINLESS STEEL, PASSIVATED
 INNER CONTACT - BERYLLIUM COPPER, GOLD PLATING
 INSULATOR - PEI
 2. ELECTRICAL:
 A. IMPEDANCE: 50 OHM
 B. FREQUENCY RANGE: DC - 67 GHz
 C. VSWR: 1.35 MAX.
 D. INSERTION LOSS: $0.05 \times \sqrt{f(\text{GHz})}$ dB MAX.
 E. VOLTAGE RATING: 500 VRMS
 F. DIELECTRIC WITHSTANDING VOLTAGE: 1000 VRMS MIN.
 G. INSULATION RESISTANCE: 1000 MΩ MIN.

3. MECHANICAL:
 A. DURABILITY: 1000 CYCLES MIN.
 B. TEMPERATURE RANGE: -40°C TO +125°C
 C. COMPATIBLE WITH ALL STANDARD: IEC61169-32

CUSTOMER OUTLINE DRAWING
 ALL OTHER SHEETS ARE FOR INTERNAL USE ONLY

| | | | | | | |
|------------|--|----------------------|--------------------------------|------------------------------|----------------------------|----------------------------|
| MATERIAL: | UNLESS OTHERWISE SPECIFIED | | DFTM: 006 | | Somefly technology Co.,Ltd | |
| | ALL DIMENSIONS ARE IN mm MACHINED SURFACES FINISH 1.6RMS MAX. REMOVE ALL BURRS 0.15x45° MAX. BREAK MACHINE CORNERS 0.15x45° MAX. FILLET R. TOLERANCES ON DECIMALS .X ±0.2 .XX ±0.1 ANGLES: ±2° FRACTIONS: ±N/A | | DATE: 2021.09.10 | 185 Female to Female Adaptor | | |
| | | | CHKD HeTong | | | |
| | | | DATE: 2021.09.10 | | | |
| USED ON: | | | APPD: Stone | | | |
| SCALE: 3/1 | DWG SIZE: A4 | DO NOT SCALE DRAWING | SURFACE (mm ²): xx | WEIGHT (g): xx | DATE: 2021.09.10 | SHT: 006-V600N-CS REV: A.0 |