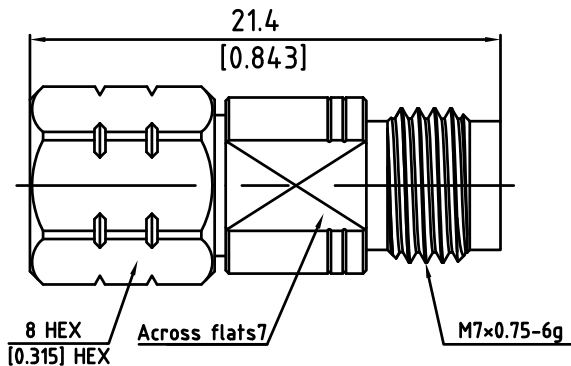


NOTICE OF PROPRIETARY RIGHTS: THIS DRAWING CONTAINS CONFIDENTIAL INFORMATION PROPRIETARY TO Somefly technology Co.,Ltd.
IT MUST NOT BE REPRODUCED OR DISCLOSED TO OTHERS OR USED IN ANY OTHER WAY, IN WHOLE OR PART EXCEPT AS AUTHORIZED
IN WRITING BY Somefly technology Co.,Ltd.

RoHS compliant

SYM	REVISION	DESCRIPTION	DFTM	DATE	APPD	APPD



NOTES:
 1. MATERIALS AND FINISHES:
 BODY - STAINLESS STEEL, PASSIVATED
 OUTER CONTACT - STAINLESS STEEL, PASSIVATED
 INNER CONTACT - BERYLLIUM COPPER, GOLD PLATING
 INSULATOR - PEI
 2. ELECTRICAL:
 A. IMPEDANCE: 50 OHM
 B. FREQUENCY RANGE: DC - 67 GHz
 C. VSWR: 1.35 MAX.
 D. INSERTION LOSS: 0.05XSQR[F(GHz)] dB MAX.
 E. VOLTAGE RATING: 500 VRMS
 F. DIELECTRIC WITHSTANDING VOLTAGE: 1000 VRMS MIN.
 G. INSULATION RESISTANCE: 1000 MΩ MIN.

3. MECHANICAL:
 A. DURABILITY: 1000 CYCLES MIN.
 B. TEMPERATURE RANGE: -40°C TO +125°C
 C. COMPATIBLE WITH ALL STANDARD IEC61169-32

CUSTOMER OUTLINE DRAWING
 ALL OTHER SHEETS ARE FOR INTERNAL USE ONLY

MATERIAL:	UNLESS OTHERWISE SPECIFIED		DFTM: 006		Somefly technology Co.,Ltd	
	ALL DIMENSIONS ARE IN mm MACHINED SURFACES FINISH 1.6RMS MAX. REMOVE ALL BURRS 0.15x45° MAX. BREAK MACHINE CORNERS 0.15x45° MAX. FILLET R. TOLERANCES ON DECIMALS .X ±0.2 .XX ±0.1 ANGLES±2° FRACTIONS±N/A		DATE: 2021.09.10	1.85 Male to Female Adaptor		
			CHKD HeTong			
			DATE: 2021.09.10			
USED ON:			APPD: Stone			
SCALE: 3/1	DWG SIZE: A4	DO NOT SCALE DRAWING	SURFACE (mm ²): xx	WEIGHT (g): xx	DATE: 2021.09.10	SHT:
			005-V5006-CS	REV:	A.0	