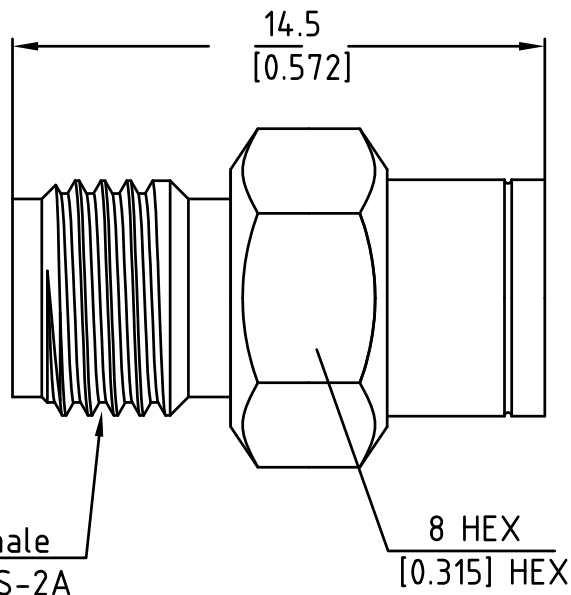


NOTICE OF PROPRIETARY RIGHTS: THIS DRAWING CONTAINS CONFIDENTIAL INFORMATION PROPRIETARY TO Somefly technology Co.,Ltd.  
IT MUST NOT BE REPRODUCED OR DISCLOSED TO OTHERS OR USED IN ANY OTHER WAY, IN WHOLE OR PART EXCEPT AS AUTHORIZED  
IN WRITING BY Somefly technology Co.,Ltd.

RoHS compliant

SYM	REVISION	DESCRIPTION	DFTM	DATE	APPD	APPD



2.92 Female  
1/4-36UNS-2A

8 HEX  
[0.315] HEX

14.5  
[0.572]

NOTES:  
1. MATERIALS AND FINISHES:  
BODY - STAINLESS STEEL, PASSIVATED  
OUTER CONTACT - STAINLESS STEEL, PASSIVATED  
INNER CONTACT - BERYLLIUM, GOLD PLATING  
INSULATOR - PEI  
2. ELECTRICAL:  
A. IMPEDANCE: 50 OHM  
B. FREQUENCY RANGE: DC - 40 GHz  
C. VSWR: 1.25  
D. MAX POWER: 2WATT(CW) DERATED LINEARLY TO 0 W +125°C

3. MECHANICAL:  
A. DURABILITY: 100 CYCLES MIN.  
B. TEMPERATURE RANGE: -40°C TO +125°C  
C. COMPATIBLE WITH ALL STANDARD: MIL STD 348  
4. PACKAGING:  
A. QUANTITY: PACK 1PCS  
B. MARKING: TRAY TO BE MARKED ""

CUSTOMER OUTLINE DRAWING  
ALL OTHER SHEETS ARE FOR INTERNAL USE ONLY

MATERIAL:	UNLESS OTHERWISE SPECIFIED		DFTM: 006		Somefly technology Co.,Ltd	
	ALL DIMENSIONS ARE IN mm MACHINED SURFACES FINISH 1.6RMS MAX. REMOVE ALL BURRS 0.15x45° MAX. BREAK MACHINE CORNERS 0.15x45° MAX. FILLET R. TOLERANCES ON DECIMALS .X ±0.2 .XX ±0.1 ANGLES±2° FRACTIONS±N/A		DATE: 2021.09.10		2.92 Female Load 40GHz 2Watts	
			CHKD HeTong			
USED ON:			DATE: 2021.09.10			
SCALE: 5/1	DWG SIZE: A4	DO NOT SCALE DRAWING	SURFACE (mm <sup>2</sup> ): xx	WEIGHT (g): xx	DATE: 2021.09.10	SHT: 096-K300N-CS REV: A.0