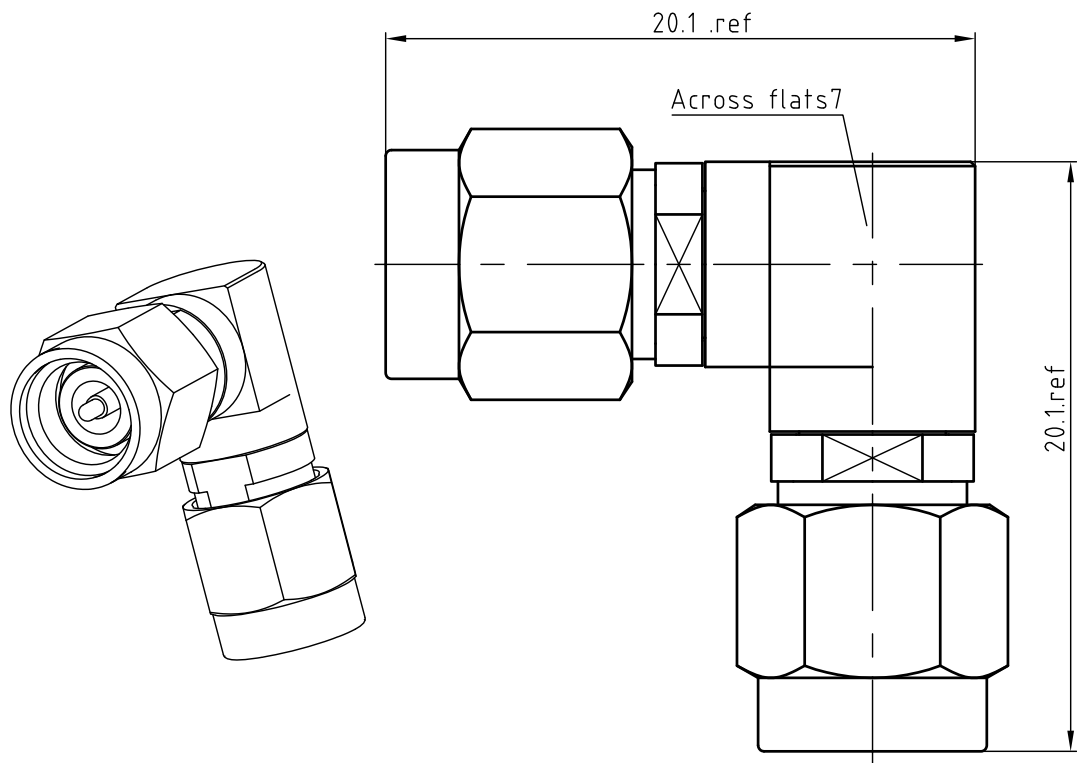


NOTICE OF PROPRIETARY RIGHTS: THIS DRAWING CONTAINS CONFIDENTIAL INFORMATION PROPRIETARY TO Somefly technology Co.,Ltd.
IT MUST NOT BE REPRODUCED OR DISCLOSED TO OTHERS OR USED IN ANY OTHER WAY, IN WHOLE OR PART EXCEPT AS AUTHORIZED
IN WRITING BY Somefly technology Co.,Ltd.

RoHS compliant

SYM	REVISION	DESCRIPTION	DFTM	DATE	APPD	APPD



- NOTES:
- MATERIALS AND FINISHES:
BODY - STAINLESS STEEL, PASSIVATED
OUTER CONTACT - STAINLESS STEEL, PASSIVATED
INNER CONTACT - BERYLLIUM COPPER, GOLD PLATING
INSULATOR - PEI, PTFE
O-RING - SILICONE RUBBER, RED
 - ELECTRICAL:
A. IMPEDANCE: 50 OHM
B. FREQUENCY RANGE: DC - 40 GHz
C. VSWR: 1.25 MAX. @ DC -18 GHz, 1.35 MAX. @ 18 -40 GHz
D. INSERTION LOSS: $0.05 \times \sqrt{F(\text{GHz})}$ dB MAX.
E. VOLTAGE RATING: 500 VRMS
F. DIELECTRIC WITHSTANDING VOLTAGE: 2000 VRMS MIN.
G. INSULATION RESISTANCE: 5000 MΩ MIN.
H. INTERMODULATION 3RD ORDER: N/A dBc MAX. (2 X 43 dBm)

3. MECHANICAL:
- DURABILITY: 1000 CYCLES MIN.
 - TEMPERATURE RANGE: -40°C TO +85°C
 - COMPATIBLE WITH ALL STANDARD: IEC61169-35

CUSTOMER OUTLINE DRAWING
ALL OTHER SHEETS ARE FOR INTERNAL USE ONLY

MATERIAL:	UNLESS OTHERWISE SPECIFIED		DFTM: 006	Somefly technology Co.,Ltd	
	ALL DIMENSIONS ARE IN mm MACHINED SURFACES FINISH 1.6RMS MAX. REMOVE ALL BURRS 0.15x45° MAX. BREAK MACHINE CORNERS 0.15x45° MAX. FILLET R. TOLERANCES ON DECIMALS .X ±0.2 .XX ±0.1 ANGLES±2° FRACTIONS±N/A		DATE: 2022.03.04	Adaptor, 2.92 Male to Male Right Angle, stainless steel	
			CHKD HeTong DATE: 2022.03.04 APPD: Stone	2.92-JWJ	
USED ON:	DO NOT SCALE DRAWING	SURFACE (mm ²) XX	WEIGHT (g) XX	DATE: 2022.03.04	SHT
SCALE: 4/1	DWG SIZE A4			060-K7006-CRC	REV A.0