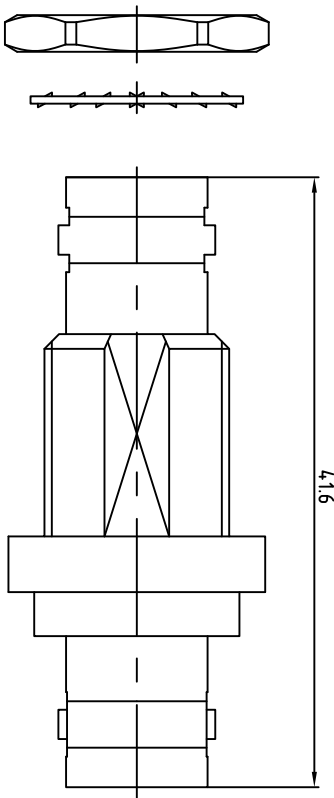


NOTICE OF PROPRIETARY RIGHTS: THIS DRAWING CONTAINS CONFIDENTIAL INFORMATION PROPRIETARY TO Somely Technology Co., Ltd. IT MUST NOT BE REPRODUCED OR DISCLOSED TO OTHERS OR USED IN ANY OTHER WAY, IN WHOLE OR PART EXCEPT AS AUTHORIZED IN WRITING BY Somely Technology Co., Ltd.

RoHS compliant

SYMT	REVISION DESCRIPTION	DATE	APPD	APPD



- NOTES:
- MATERIALS AND FINISHES:
 - BODY: BRASS, TERNARY ALLOY PLATING
 - OUTER CONTACT: BRASS, TERNARY ALLOY PLATING
 - INNER CONTACT: BERYLLIUM, GOLD PLATING
 - INSULATOR: PTFE, NATURAL
 - ELECTRICAL:
 - A. IMPEDANCE: 50 OHM
 - B. FREQUENCY RANGE: DC - 4 GHz
 - C. VSWR: 1.25 MAX. @ DC - 4 GHz
 - D. INSERTION LOSS: /
 - E. VOLTAGE RATING: 500 VRMS
 - F. DIELECTRIC WITHSTANDING VOLTAGE: 2000 VRMS MIN.
 - G. INSULATION RESISTANCE: 5000 MQ MIN.
 - H. INTERMODULATION 3RD ORDER: /

- MECHANICAL:
 - A. DURABILITY: 500 CYCLES MIN.
 - B. TEMPERATURE RANGE: -40°C TO +85°C
 - C. COMPATIBLE WITH ALL STANDARD: IEL61169-1
 - D. PACKAGING: /
 - E. QUANTITY: PACK 1PCS

CUSTOMER OUTLINE DRAWING
ALL OTHER SHEETS ARE FOR INTERNAL USE ONLY

MATL:	UNLESS OTHERWISE SPECIFIED				DFTM: 006	Somely Technology Co., Ltd	
USED ON:	ALL DIMENSIONS ARE IN mm	DATE: 2021.03.03	CHKO: He Tong	BNC Female to Female Bulkhead Mount Hermetically Sealed Adapter BNC-KLK			
SCALE: / SIZE A4	MACHINED SURFACES FINISH 1.6RMS MAX. REMOVE ALL BURRS 0.15x45° MAX. BREAK MACHINE CORNERS 0.15x45° MAX. FILLET R. TOLERANCES ON DECIMALS	DATE: 2021.03.03	DATE: 2021.03.03	BNC Female to Female Bulkhead Mount Hermetically Sealed Adapter BNC-KLK			
	DO NOT SCALE DRAWING	APPD: Stone	DATE: 2021.03.03	SHT	1000038	REV	A.0
	ANGLES: ±2°	DATE: 2021.03.03	DATE: 2021.03.03				
	FRACTIONS: S/N/A	DATE: 2021.03.03	DATE: 2021.03.03				
	±0.3	DATE: 2021.03.03	DATE: 2021.03.03				
	±0.2	DATE: 2021.03.03	DATE: 2021.03.03				
	±0.1	DATE: 2021.03.03	DATE: 2021.03.03				