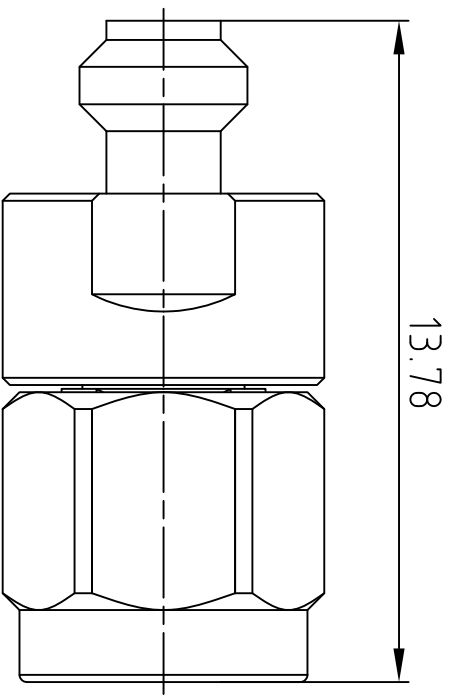


NOTICE OF PROPRIETARY RIGHTS: THIS DRAWING CONTAINS CONFIDENTIAL INFORMATION PROPRIETARY TO Somely Technology Co., Ltd. IT MUST NOT BE REPRODUCED OR DISCLOSED TO OTHERS OR USED IN ANY OTHER WAY, IN WHOLE OR PART EXCEPT AS AUTHORIZED IN WRITING BY Somely Technology Co., Ltd.

RoHS compliant

SYMT	REVISION DESCRIPTION	DETM	DATE	APPD	APPD



- NOTES:
- MATERIALS AND FINISHES:
 BODY - STAINLESS STEEL 303, PASSIVATED
 OUTER CONTACT - STAINLESS STEEL 303, PASSIVATED
 INNER CONTACT - BERYLLIUM COPPER, GOLD PLATING
 INSULATOR - PEI

- MECHANICAL:
 A. DURABILITY: 200 CYCLES MIN.
 B. TEMPERATURE RANGE: -40°C TO +165°C
 C. COMPATIBLE WITH ALL STANDARD IEC61169-31 IEC61169-64

- ELECTRICAL:
 A. IMPEDANCE: 50 OHM
 B. FREQUENCY RANGE: DC - 110 GHz
 C. VSWR: 1.45 MAX. @ DC - 110 GHz
 D. INSERTION LOSS: 0.12XSORTF(GHz)]dB MAX.
 E. VOLTAGE RATING: 500 VRMS
 F. INSULATION RESISTANCE: 5000 MΩ MIN.

CUSTOMER OUTLINE DRAWING
 ALL OTHER SHEETS ARE FOR INTERNAL USE ONLY

MATL:	UNLESS OTHERWISE SPECIFIED				DETM: Huang	Somely Technology Co., Ltd	
SCALE: 5/1	DWG SIZE: A4	ALL DIMENSIONS ARE IN mm	MACHINED SURFACES FINISH 1.6RMS MAX.	DATE: 2023.11.15	CHKD: He Tong	0.8mm Female to 1.0mm Male Adapter	
USED ON:	DO NOT SCALE DRAWING	REMOVE ALL BURRS 0.15x45° MAX. BREAK	MACHINE CORNERS 0.15x45° MAX. FILLET	DATE: 2023.11.15	DATE: 2023.11.15	0.8mm/1.0mm-KJ	
		R. TOLERANCES ON DECIMALS	X +0.2	APPD: Stone	DATE: 2023.11.15	SHT	332-A7005-CS
		ANGLES: 2°	XX +0.1			REV	S.0
		FRACTIONS: N/A	XX				

1 2 3 4 5 6

