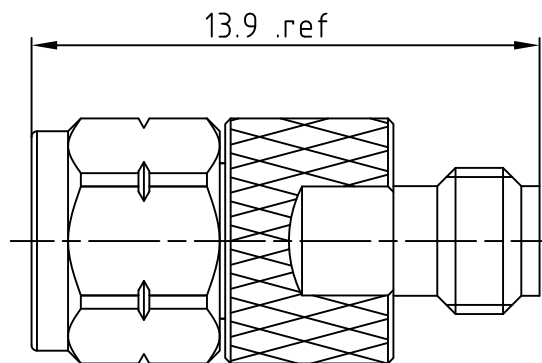


1 2 3 4 5 6  
 NOTICE OF PROPRIETARY RIGHTS: THIS DRAWING CONTAINS CONFIDENTIAL INFORMATION PROPRIETARY TO Somefly technology Co.,Ltd.  
 IT MUST NOT BE REPRODUCED OR DISCLOSED TO OTHERS OR USED IN ANY OTHER WAY, IN WHOLE OR PART EXCEPT AS AUTHORIZED  
 IN WRITING BY Somefly technology Co.,Ltd.

RoHS compliant

SYM	REVISION	DESCRIPTION	DFTM	DATE	APPD	APPD



NOTES:

1. MATERIALS AND FINISHES:  
 BODY - STAINLESS STEEL 303, PASSIVATED  
 OUTER CONTACT - STAINLESS STEEL 303, PASSIVATED  
 INNER CONTACT - BERYLLIUM COPPER, GOLD PLATING  
 INSULATOR - PEI

3. MECHANICAL:  
 A. DURABILITY: 200 CYCLES MIN.  
 B. TEMPERATURE RANGE: -40°C TO +165°C  
 C. COMPATIBLE WITH ALL STANDARD: IEC61169-31  
 IEC61169-64

2. ELECTRICAL:  
 A. IMPEDANCE: 50 OHM  
 B. FREQUENCY RANGE: DC - 110 GHz  
 C. VSWR: 1.45 MAX. @ DC -110 GHz  
 D. INSERTION LOSS:  $0.12\sqrt{f}$  [F(GHz)] dB MAX.  
 E. VOLTAGE RATING: 500 VRMS  
 F. INSULATION RESISTANCE: 5000 MΩ MIN.

CUSTOMER OUTLINE DRAWING  
 ALL OTHER SHEETS ARE FOR INTERNAL USE ONLY

MATERIAL:	UNLESS OTHERWISE SPECIFIED		DFTM: Huang	Somefly technology Co.,Ltd					
	ALL DIMENSIONS ARE IN mm MACHINED SURFACES FINISH 1.6RMS MAX. REMOVE ALL BURRS 0.15×45°MAX. BREAK MACHINE CORNERS 0.15×45°D MAX. FILLET R. TOLERANCES ON DECIMALS .X ±0.2 .XX ±0.1 ANGLES±2° FRACTIONS±N/A		DATE: 2023.11.15	CHKD HeTong	0.8mm Male to 1.0mm Female Adapter				
	USED ON:		DATE: 2023.11.15	APPD: Stone	0.8mm/1.0mm-JK				
SCALE: 5/1	DWG SIZE A4	DO NOT SCALE DRAWING	SURFACE (mm <sup>2</sup> ) XX	WEIGHT (g) XX	DATE: 2023.11.15	SHT	335-A5005-CS	REV	S.0