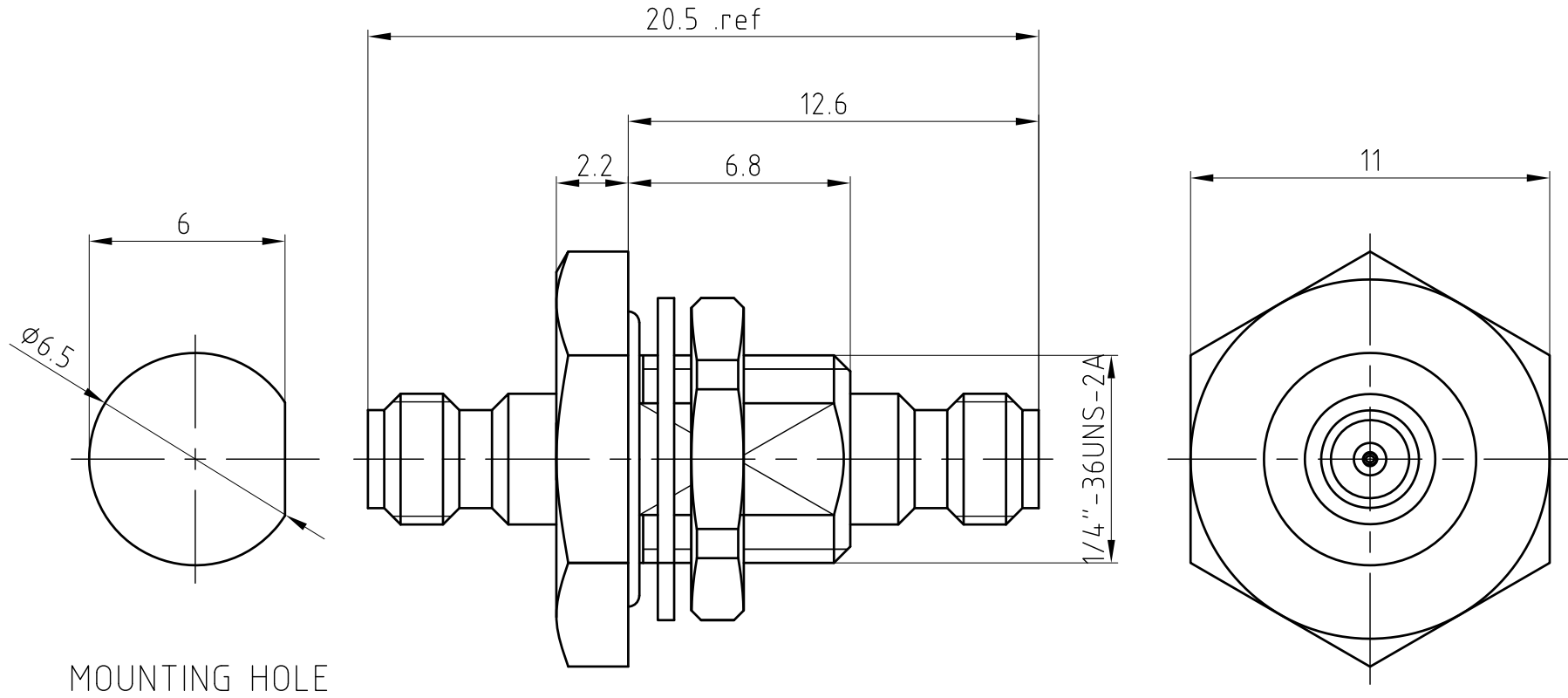


NOTICE OF PROPRIETARY RIGHTS: THIS DRAWING CONTAINS CONFIDENTIAL INFORMATION PROPRIETARY TO Somefly technology Co.,Ltd. IT MUST NOT BE REPRODUCED OR DISCLOSED TO OTHERS OR USED IN ANY OTHER WAY, IN WHOLE OR PART EXCEPT AS AUTHORIZED IN WRITING BY Somefly technology Co.,Ltd.

RoHS compliant

SYM	REVISION	DESCRIPTION	DFTM	DATE	APPD	APPD



MOUNTING HOLE

NOTES:

1. MATERIALS AND FINISHES:  
 BODY - STAINLESS STEEL, PASSIVATED  
 OUTER CONTACT - STAINLESS STEEL, PASSIVATED  
 INNER CONTACT - BERYLLIUM COPPER, GOLD PLATING  
 INSULATOR - GLASS & PEI
2. ELECTRICAL:  
 A. IMPEDANCE: 50 OHM  
 B. FREQUENCY RANGE: DC - 110 GHz  
 C. VSWR: 1.8 MAX @ 110GHz  
 D. INSERTION LOSS:  $0.15 \times \sqrt{f(\text{GHz})}$  dB MAX.  
 E. HERMETIC SEA: 1\*10<sup>-7</sup> CC/SEC OF HELIUM AT 1ATM

3. MECHANICAL:

- A. DURABILITY: 500 CYCLES MIN.
- B. TEMPERATURE RANGE: -65°C TO +165°C
- C. COMPATIBLE WITH ALL STANDARD: IEC61169-31

CUSTOMER OUTLINE DRAWING  
 ALL OTHER SHEETS ARE FOR INTERNAL USE ONLY

MATERIAL:	UNLESS OTHERWISE SPECIFIED	DFTM: Huang	Somefly technology Co.,Ltd						
	ALL DIMENSIONS ARE IN mm MACHINED SURFACES FINISH 1.6RMS MAX. REMOVE ALL BURRS 0.15x45°MAX. BREAK MACHINE CORNERS 0.15x45°D MAX. FILLET R. TOLERANCES ON DECIMALS .X ±0.2 .XX ±0.1 ANGLES±2° FRACTIONS±N/A	DATE: 2024.03.30					CHKD HeTong	1.0mm Female To 1.0mm Female Bulkhead Mount Adaptor	
USED ON:		DATE: 2024.03.30	APPD: Stone	1.0-KLK					
SCALE: 5/1	DWG SIZE A4	DO NOT SCALE DRAWING	SURFACE (mm <sup>2</sup> ) xx			WEIGHT (g) xx	DATE: 2024.03.30	SHT	1290034