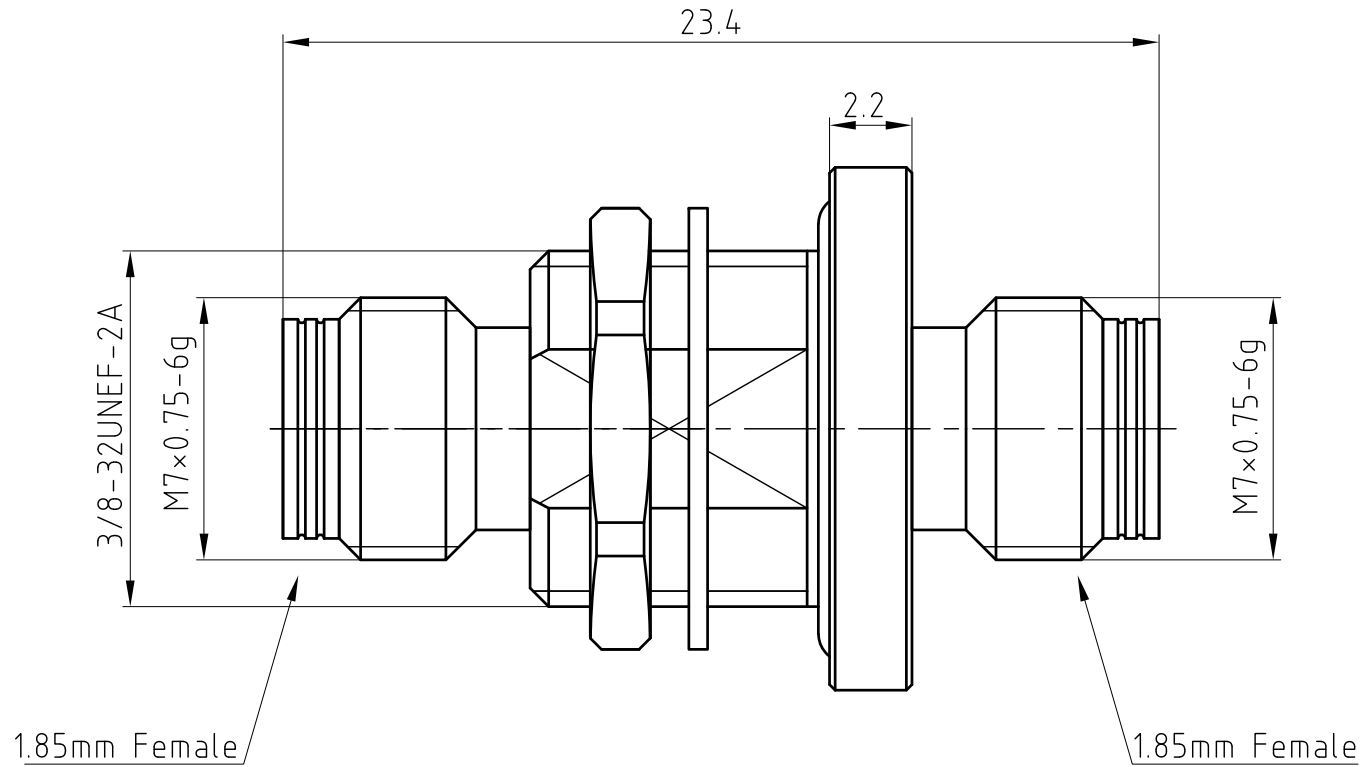


NOTICE OF PROPRIETARY RIGHTS: THIS DRAWING CONTAINS CONFIDENTIAL INFORMATION PROPRIETARY TO Somefly technology Co.,Ltd. IT MUST NOT BE REPRODUCED OR DISCLOSED TO OTHERS OR USED IN ANY OTHER WAY, IN WHOLE OR PART EXCEPT AS AUTHORIZED IN WRITING BY Somefly technology Co.,Ltd.

RoHS compliant

SYM	REVISION	DESCRIPTION	DFTM	DATE	APPD	APPD



- NOTES:
- MATERIALS AND FINISHES:
 BODY - STAINLESS STEEL, GOLD PLATING
 OUTER CONTACT - STAINLESS STEEL, PASSIVATED
 INNER CONTACT - BERYLLIUM COPPER, GOLD PLATING
 INSULATOR - GLASS & PEI
 - ELECTRICAL:
 A. IMPEDANCE: 50 OHM
 B. FREQUENCY RANGE: DC - 67 GHz
 C. VSWR: 1.55 MAX @ 67GHz
 D. INSERTION LOSS: $0.12 \times \sqrt{F(\text{GHz})}$ dB MAX.
 E. HERMETIC SEA: 1*10⁻⁷ CC/SEC OF HELIUM AT 1ATM

3. MECHANICAL:
 A. DURABILITY: 500 CYCLES MIN.
 B. TEMPERATURE RANGE: -65°C TO +165°C
 C. COMPATIBLE WITH ALL STANDARD: IEC61169-32

CUSTOMER OUTLINE DRAWING
 ALL OTHER SHEETS ARE FOR INTERNAL USE ONLY

MATERIAL:	UNLESS OTHERWISE SPECIFIED		DFTM: Huang		Somefly technology Co.,Ltd	
	ALL DIMENSIONS ARE IN mm MACHINED SURFACES FINISH 1.6RMS MAX. REMOVE ALL BURRS 0.15x45°MAX. BREAK MACHINE CORNERS 0.15x45°D MAX. FILLET R. TOLERANCES ON DECIMALS .X ±0.2 .XX ±0.1 ANGLES±2° FRACTIONS±N/A		DATE: 2024.03.21			
USED ON:	DO NOT SCALE DRAWING		CHKD HeTong		1.85 Female to Female Bulkhead Hermetic Sea Adapter	
SCALE: 5/1 DWG SIZE A4			DATE: 2024.03.21			
SURFACE (mm ²) XX		WEIGHT (g) XX		APPD: Stone	1.85-KLK	
DATE: 2024.03.21		SHT	024-V6L0N-CSH		REV	A.0