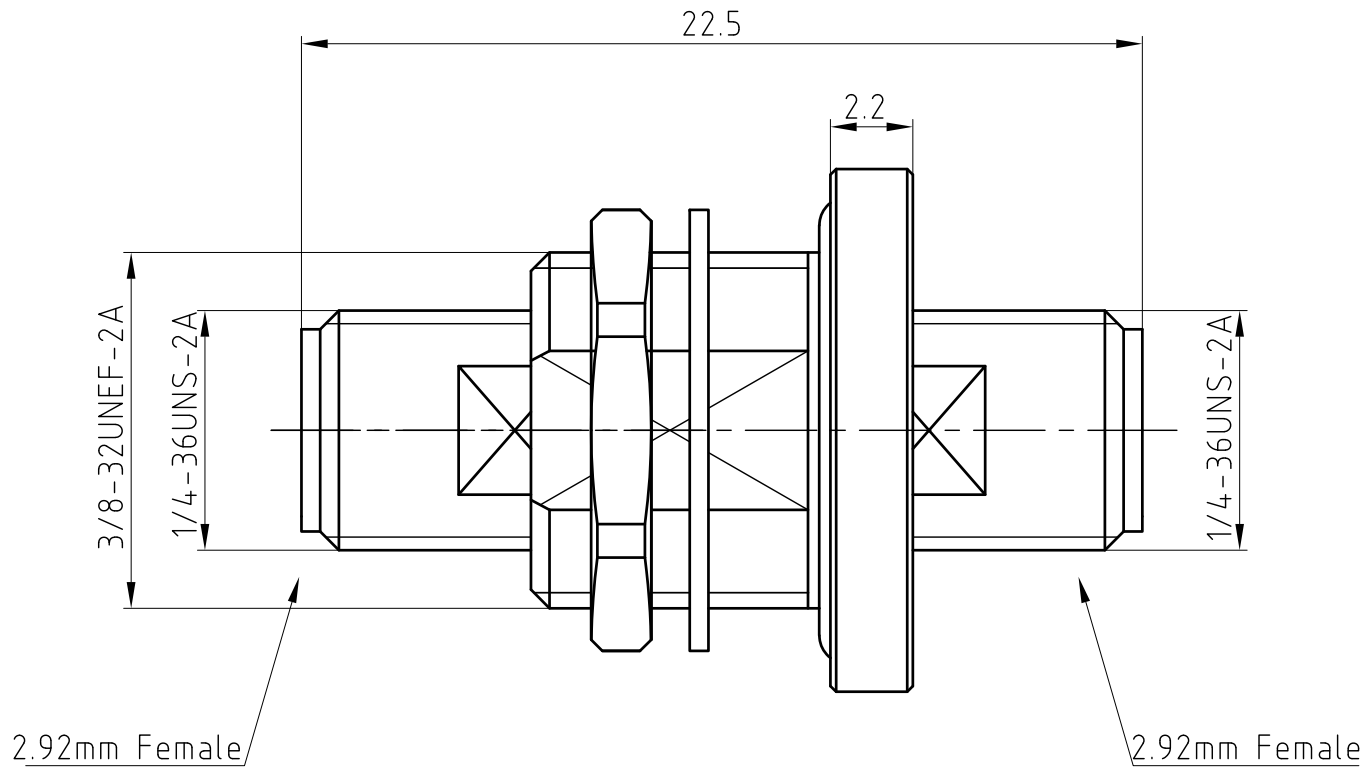


NOTICE OF PROPRIETARY RIGHTS: THIS DRAWING CONTAINS CONFIDENTIAL INFORMATION PROPRIETARY TO Somefly technology Co.,Ltd. IT MUST NOT BE REPRODUCED OR DISCLOSED TO OTHERS OR USED IN ANY OTHER WAY, IN WHOLE OR PART EXCEPT AS AUTHORIZED IN WRITING BY Somefly technology Co.,Ltd.

RoHS compliant

SYM	REVISION	DESCRIPTION	DFTM	DATE	APPD	APPD



NOTES:

1. MATERIALS AND FINISHES:  
 BODY - STAINLESS STEEL, GOLD PLATING  
 OUTER CONTACT - STAINLESS STEEL, GOLD PLATING  
 INNER CONTACT - BERYLLIUM COPPER, GOLD PLATING  
 INSULATOR - GLASS & PEI
2. ELECTRICAL:  
 A. IMPEDANCE: 50 OHM  
 B. FREQUENCY RANGE: DC - 40 GHz  
 C. VSWR: 1.35 MAX @ 40GHz  
 D. INSERTION LOSS:  $0.12 \times \sqrt{F(\text{GHz})}$  dB MAX.  
 E. HERMETIC SEA: 1\*10<sup>-7</sup> CC/SEC OF HELIUM AT 1ATM

3. MECHANICAL:  
 A. DURABILITY: 500 CYCLES MIN.  
 B. TEMPERATURE RANGE: -65°C TO +165°C  
 C. COMPATIBLE WITH ALL STANDARD: IEC61169-35

CUSTOMER OUTLINE DRAWING  
 ALL OTHER SHEETS ARE FOR INTERNAL USE ONLY

MATERIAL:	UNLESS OTHERWISE SPECIFIED		DFTM: Huang		Somefly technology Co.,Ltd	
	ALL DIMENSIONS ARE IN mm MACHINED SURFACES FINISH 1.6RMS MAX. REMOVE ALL BURRS 0.15x45°MAX. BREAK MACHINE CORNERS 0.15x45°D MAX. FILLET R. TOLERANCES ON DECIMALS .X ±0.2 .XX ±0.1 ANGLES±2° FRACTIONS±N/A		DATE: 2024.02.22			
USED ON:			CHKD HeTong		2.92 Female to Female Bulkhead Hermefic Sea Adapter	
			DATE: 2024.02.22			
SCALE: 5/1	DWG SIZE A4	DO NOT SCALE DRAWING	APPD: Stone		2.92-KLK	
			DATE: 2024.02.22		SHT	125-K6L0N-CSH
					REV	A.0