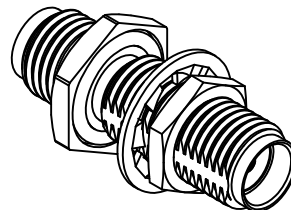
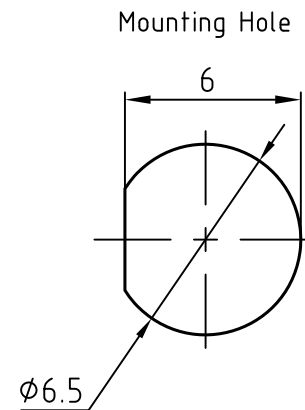
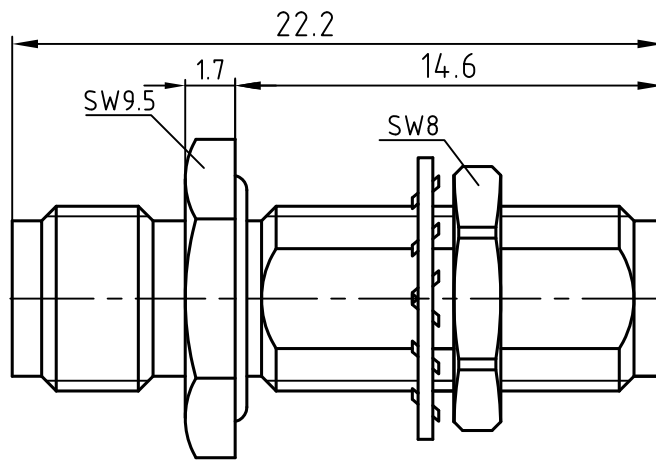
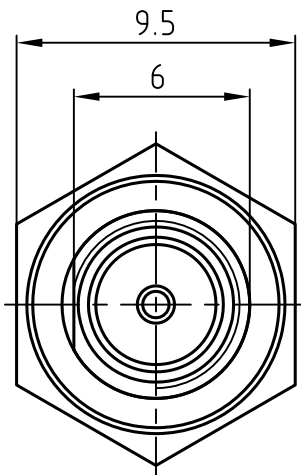


NOTICE OF PROPRIETARY RIGHTS: THIS DRAWING CONTAINS CONFIDENTIAL INFORMATION PROPRIETARY TO Somefly technology Co.,Ltd. IT MUST NOT BE REPRODUCED OR DISCLOSED TO OTHERS OR USED IN ANY OTHER WAY, IN WHOLE OR PART EXCEPT AS AUTHORIZED IN WRITING BY Somefly technology Co.,Ltd.

RoHS compliant

SYM	REVISION	DESCRIPTION	DFTM	DATE	APPD	APPD



NOTES:

1. MATERIALS AND FINISHES:
 BODY - BRASS, GOLD PLATING
 OUTER CONTACT - BRASS, GOLD PLATING
 INNER CONTACT - BERYLLIUM, GOLD PLATING
 INSULATOR - PTFE, NATURAL

2. ELECTRICAL:
 A. IMPEDANCE: 50 OHM
 B. FREQUENCY RANGE: DC - 18 GHz
 C. VSWR: 1.25 MAX.
 D. INSERTION LOSS: $0.05 \times \sqrt{F(\text{GHz})}$ dB MAX.
 E. VOLTAGE RATING: 500 VRMS
 F. DIELECTRIC WITHSTANDING VOLTAGE: 2000 VRMS MIN.
 G. INSULATION RESISTANCE: 5000 MΩ MIN.

3. MECHANICAL:
 A. DURABILITY: 100 CYCLES MIN.
 B. TEMPERATURE RANGE: -40°C TO +125°C
 4. PACKAGING:
 A. QUANTITY: PACK 10PCS
 B. MARKING: TRAY TO BE MARKED ""

CUSTOMER OUTLINE DRAWING
 ALL OTHER SHEETS ARE FOR INTERNAL USE ONLY

MATERIAL:	UNLESS OTHERWISE SPECIFIED		DFTM: TaoYang		Somefly technology Co.,Ltd	
	ALL DIMENSIONS ARE IN mm MACHINED SURFACES FINISH 1.6RMS MAX. REMOVE ALL BURRS 0.15×45° MAX. BREAK MACHINE CORNERS 0.15×45° D MAX. FILLET R. TOLERANCES ON DECIMALS .X ±0.2 .XX ±0.1 ANGLES ±2° FRACTIONS ±N/A		DATE: 2020.09.14		SMA Female To SMA Female Bulkhand Mount Adaptor	
	USED ON:		CHKD HeTong		DATE: 2020.09.14	
	SCALE: 3/1 DWG SIZE A4		APPD: Stone		DATE: 2020.09.14	
DO NOT SCALE DRAWING		SURFACE (mm ²) XX	WEIGHT (g) XX	SHT	123-26L06-1S	REV A.0