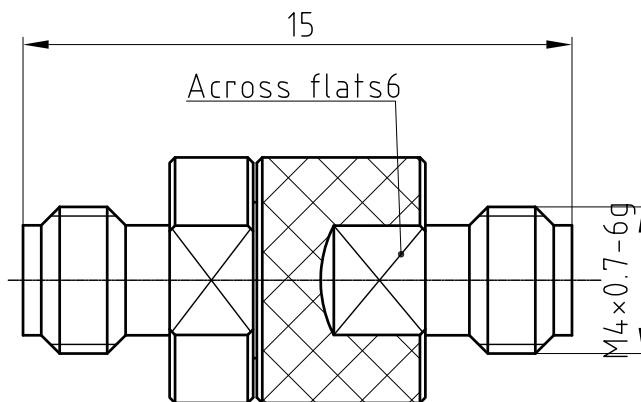


NOTICE OF PROPRIETARY RIGHTS: THIS DRAWING CONTAINS CONFIDENTIAL INFORMATION PROPRIETARY TO Somefly technology Co.,Ltd.
IT MUST NOT BE REPRODUCED OR DISCLOSED TO OTHERS OR USED IN ANY OTHER WAY, IN WHOLE OR PART EXCEPT AS AUTHORIZED
IN WRITING BY Somefly technology Co.,Ltd.

RoHS compliant

| SYM | REVISION | DESCRIPTION | DFTM | DATE | APPD | APPD |
|-----|----------|-------------|------|------|------|------|
| | | | | | | |



NOTES:

1. MATERIALS AND FINISHES:
 A. DURABILITY: 500 CYCLES MIN.
 BODY - STAINLESS STEEL 303, PASSIVATED
 OUTER CONTACT - STAINLESS STEEL 303, PASSIVATED
 INNER CONTACT - BERYLLIUM COPPER, GOLD PLATING
 INSULATOR - PEI

2. ELECTRICAL:
 A. IMPEDANCE: 50 OHM
 B. FREQUENCY RANGE: DC - 110 GHz
 C. VSWR: 1.35 MAX. @ DC - 110 GHz
 D. INSERTION LOSS: $0.12\sqrt{F}$ [F(GHz)] dB MAX.
 E. VOLTAGE RATING: 500 VRMS
 F. INSULATION RESISTANCE: 5000 MΩ MIN.

3. MECHANICAL:
 A. DURABILITY: 500 CYCLES MIN.
 B. TEMPERATURE RANGE: -40°C TO +85°C
 C. COMPATIBLE WITH ALL STANDARD: IEC61169-31

CUSTOMER OUTLINE DRAWING
 ALL OTHER SHEETS ARE FOR INTERNAL USE ONLY

| | | | | | | |
|------------|--|----------------------|--------------------------------|----------------|------------------------------|----------------------------|
| MATERIAL: | UNLESS OTHERWISE SPECIFIED | | DFTM: Huang | | Somefly technology Co.,Ltd | |
| | ALL DIMENSIONS ARE IN mm MACHINED SURFACES FINISH 1.6RMS MAX. REMOVE ALL BURRS 0.15x45° MAX. BREAK MACHINE CORNERS 0.15x45° D MAX. FILLET R. TOLERANCES ON DECIMALS .X ±0.2 .XX ±0.1 ANGLES: ±2° FRACTIONS: ±N/A | | DATE: 2023.05.25 | | 1.0 Female to Female Adaptor | |
| | USED ON: | | CHKD HeTong | | 1.0-KK | |
| SCALE: 5/1 | DWG SIZE: A4 | DO NOT SCALE DRAWING | SURFACE (mm ²): xx | WEIGHT (g): xx | DATE: 2023.05.25 | SHT: 002-W600N-CS REV: A.0 |