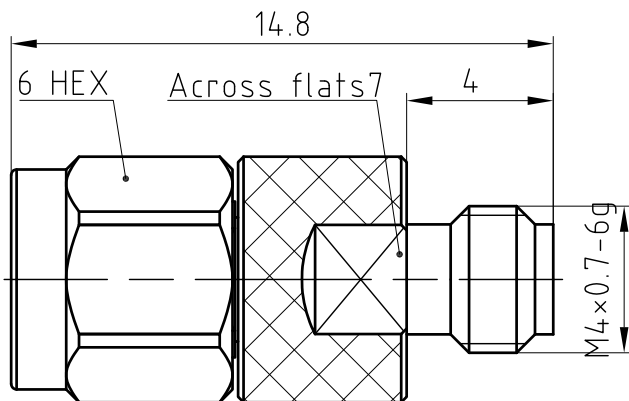


NOTICE OF PROPRIETARY RIGHTS: THIS DRAWING CONTAINS CONFIDENTIAL INFORMATION PROPRIETARY TO Somefly technology Co.,Ltd.
IT MUST NOT BE REPRODUCED OR DISCLOSED TO OTHERS OR USED IN ANY OTHER WAY, IN WHOLE OR PART EXCEPT AS AUTHORIZED
IN WRITING BY Somefly technology Co.,Ltd.

RoHS compliant

SYM	REVISION	DESCRIPTION	DFTM	DATE	APPD	APPD



NOTES:

1. MATERIALS AND FINISHES:
 A. IMPEDANCE: 50 OHM
 B. FREQUENCY RANGE: DC - 110 GHz
 C. VSWR: 1.35 MAX. @ DC - 110 GHz
 D. INSERTION LOSS: $0.05 \times \sqrt{f}$ [F(GHz)] dB MAX.
 E. VOLTAGE RATING: 500 VRMS
 F. INSULATION RESISTANCE: 5000 MΩ MIN.

3. MECHANICAL:

A. DURABILITY: 1000 CYCLES MIN.
 B. TEMPERATURE RANGE: -40°C TO +85°C
 C. COMPATIBLE WITH ALL STANDARD: IEC61169-31

CUSTOMER OUTLINE DRAWING
 ALL OTHER SHEETS ARE FOR INTERNAL USE ONLY

MATERIAL:	UNLESS OTHERWISE SPECIFIED		DFTM: 006	Somefly technology Co.,Ltd					
	ALL DIMENSIONS ARE IN mm MACHINED SURFACES FINISH 1.6RMS MAX. REMOVE ALL BURRS 0.15x45° MAX. BREAK MACHINE CORNERS 0.15x45° MAX. FILLET R. TOLERANCES ON DECIMALS .X ±0.2 .XX ±0.1 ANGLES: ±2° FRACTIONS: ±N/A		DATE: 2022.06.01						
	USED ON:			CHKD HeTong	1.0 Male to Female Adaptor				
SCALE: 5/1	DWG SIZE: A4	DO NOT SCALE DRAWING	SURFACE (mm²): xx	WEIGHT (g): xx	DATE: 2022.06.01	SHT	001-W500N-CS	REV	A.0

A

B

C

D

A

B

C

D

1

2

3

4

5

6

1

2

3

4

5

6