

NOTICE OF PROPRIETARY RIGHTS: THIS DRAWING CONTAINS CONFIDENTIAL INFORMATION PROPRIETARY TO Somefly technology Co.,Ltd.
IT MUST NOT BE REPRODUCED OR DISCLOSED TO OTHERS OR USED IN ANY OTHER WAY, IN WHOLE OR PART EXCEPT AS AUTHORIZED
IN WRITING BY Somefly technology Co.,Ltd.

RoHS compliant

SYM	REVISION	DESCRIPTION	DFTM	DATE	APPD	APPD

A

A

B

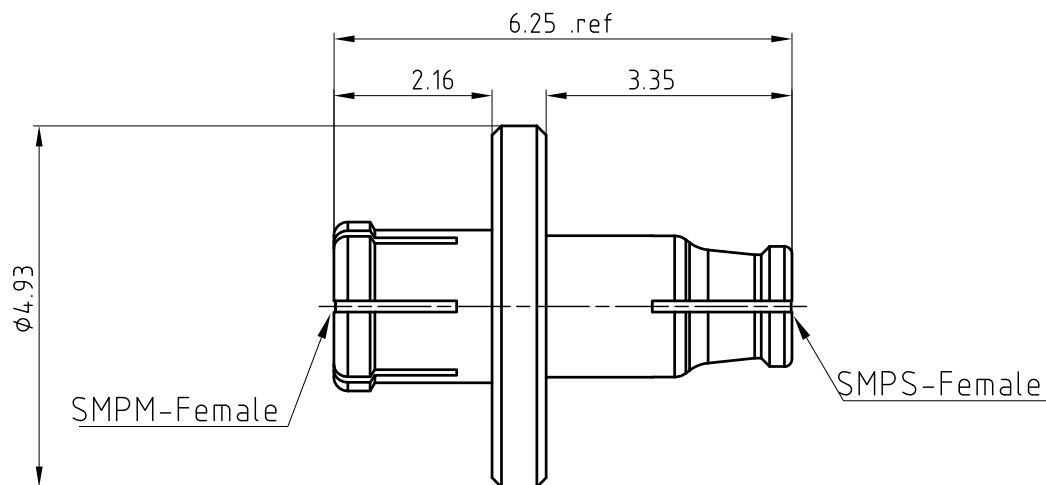
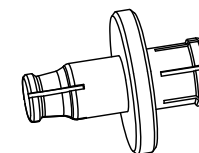
B

C

C

D

D



CUSTOMER OUTLINE DRAWING
ALL OTHER SHEETS ARE FOR INTERNAL USE ONLY

NOTES:

1. MATERIALS AND FINISHES:
BODY - BERYLLIUM COPPER, GOLD PLATING
OUTER CONTACT - BERYLLIUM COPPER, GOLD PLATING
INNER CONTACT - BERYLLIUM COPPER, GOLD PLATING
INSULATOR - PTFE, NATURAL

2. ELECTRICAL:
A. IMPEDANCE: 50 OHM
B. FREQUENCY RANGE: DC - 65 GHz

3. MECHANICAL:
A. DURABILITY: 100 CYCLES MIN.
B. TEMPERATURE RANGE: -65°C to 165°C
C. COMPATIBLE WITH ALL STANDARD: IEC61169-60
IEC61169-69
ANSI VITA 67.3-2022

MATERIAL:	UNLESS OTHERWISE SPECIFIED		DFTM: Huang		Somefly technology Co.,Ltd	
	ALL DIMENSIONS ARE IN mm MACHINED SURFACES FINISH 1.6RMS MAX. REMOVE ALL BURRS 0.15x45°MAX. BREAK MACHINE CORNERS 0.15x45°D MAX. FILLET R. TOLERANCES ON DECIMALS .X ±0.2 .XX ±0.1 ANGLES±2° FRACTIONS±N/A		DATE: 2023.07.01		SMPM Female to SMPS Female VITA 67.3 Backplane Adapter SMPM/SMPS-KK,VITA67.3	
			CHKD HeTong DATE: 2023.07.01			
USED ON:	DO NOT SCALE DRAWING		APPD: Stone		DATE: 2023.07.01	
SCALE: 5/1	DWG SIZE: A4	SURFACE (mm ²): xx	WEIGHT (g): xx	SHT	286-A600N-NS	REV A.0

1

2

3

4

5

6