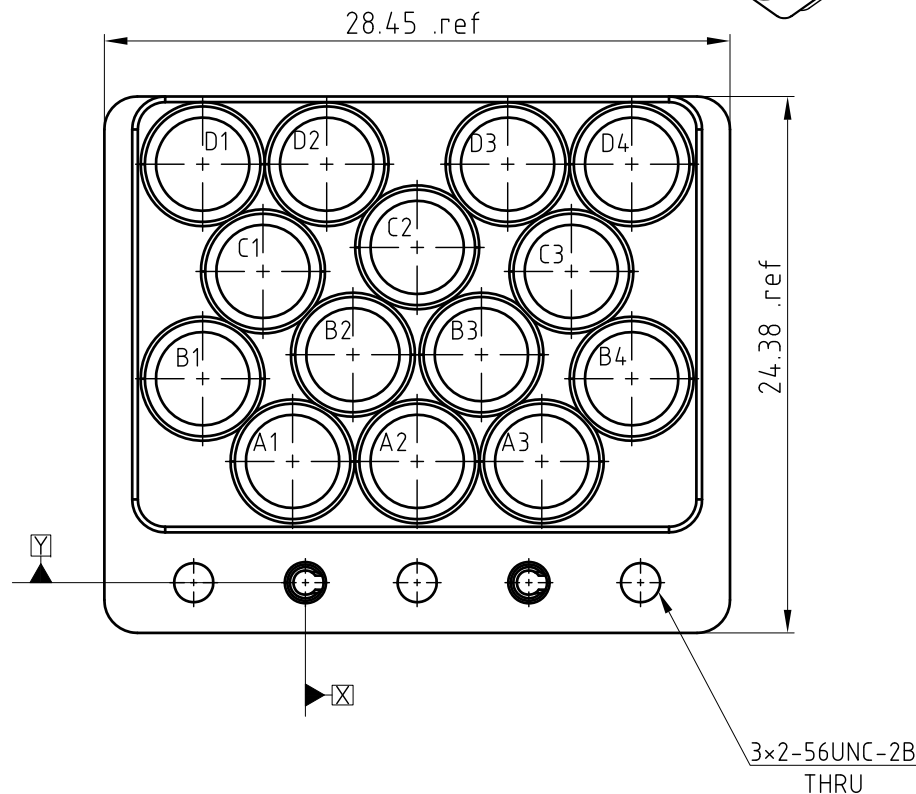
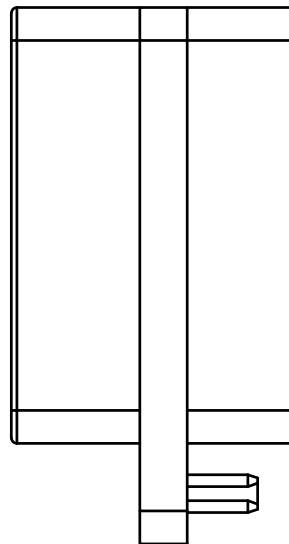
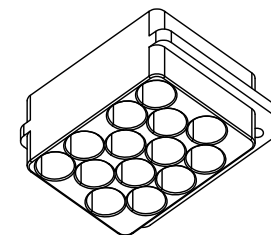


NOTICE OF PROPRIETARY RIGHTS: THIS DRAWING CONTAINS CONFIDENTIAL INFORMATION PROPRIETARY TO Somefly technology Co.,Ltd. IT MUST NOT BE REPRODUCED OR DISCLOSED TO OTHERS OR USED IN ANY OTHER WAY, IN WHOLE OR PART EXCEPT AS AUTHORIZED IN WRITING BY Somefly technology Co.,Ltd.

RoHS compliant

SYM	REVISION	DESCRIPTION	DFTM	DATE	APPD	APPD

	X	Y
A1	-0.023	0.217
A2	0.200	0.217
A3	0.423	0.217
B1	-0.184	0.365
B2	0.085	0.408
B3	0.315	0.408
B4	0.584	0.365
C1	-0.076	0.557
C2	0.200	0.600
C3	0.476	0.557
D1	-0.184	0.749
D2	0.038	0.749
D3	0.362	0.749
D4	0.584	0.749



CUSTOMER OUTLINE DRAWING  
ALL OTHER SHEETS ARE FOR INTERNAL USE ONLY

NOTES:  
1. MATERIALS AND FINISHES:  
BODY - STAINLESS STEEL , PASSIVATED

MATERIAL:	UNLESS OTHERWISE SPECIFIED		DFTM: Huang	Somefly technology Co.,Ltd	
	ALL DIMENSIONS ARE IN mm MACHINED SURFACES FINISH 1.6RMS MAX. REMOVE ALL BURRS 0.15x45°MAX. BREAK MACHINE CORNERS 0.15x45°D MAX. FILLET R. TOLERANCES ON DECIMALS .X ±0.2 .XX ±0.1 ANGLES:±2° FRACTIONS:±N/A		DATE: 2023.07.01	SMPM VITA 67.3 14 Port Backplane Module C	
			CHKD HeTong	DATE: 2023.07.01	
USED ON:	DO NOT SCALE DRAWING		APPD: Stone	DATE: 2023.07.01	
SCALE: 3/1	DWG SIZE A4	SURFACE (mm <sup>2</sup> ) xx	WEIGHT (g) xx	SHT	005-VTC14C-CS REV A.0