

NOTICE OF PROPRIETARY RIGHTS: THIS DRAWING CONTAINS CONFIDENTIAL INFORMATION PROPRIETARY TO Somefly technology Co.,Ltd.
IT MUST NOT BE REPRODUCED OR DISCLOSED TO OTHERS OR USED IN ANY OTHER WAY, IN WHOLE OR PART EXCEPT AS AUTHORIZED
IN WRITING BY Somefly technology Co.,Ltd.

RoHS compliant

SYM	REVISION	DESCRIPTION	DFTM	DATE	APPD	APPD

A

B

C

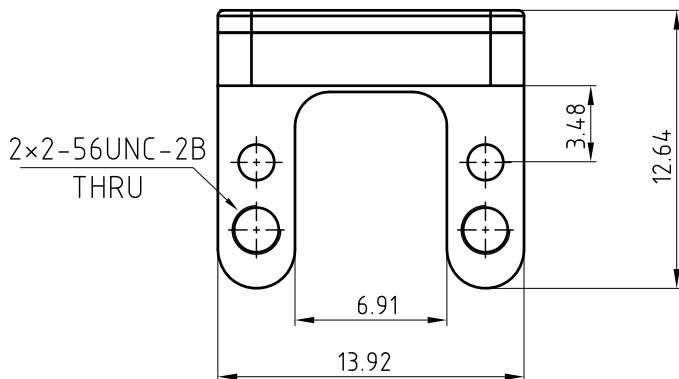
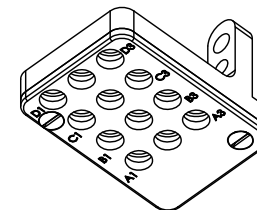
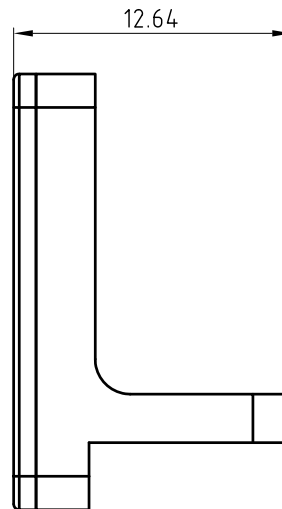
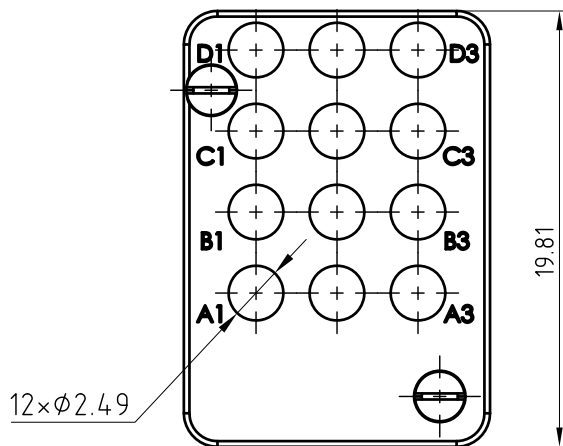
D

A

B

C

D



CUSTOMER OUTLINE DRAWING
ALL OTHER SHEETS ARE FOR INTERNAL USE ONLY

NOTES:
1. MATERIALS AND FINISHES:
BODY - STAINLESS STEEL , PASSIVATED

MATERIAL:	UNLESS OTHERWISE SPECIFIED		DFTM: Huang	Somefly technology Co.,Ltd	
	ALL DIMENSIONS ARE IN mm MACHINED SURFACES FINISH 1.6RMS MAX. REMOVE ALL BURRS 0.15x45°MAX. BREAK MACHINE CORNERS 0.15x45°D MAX. FILLET R. TOLERANCES ON DECIMALS .X ±0.2 .XX ±0.1 ANGLES±2° FRACTIONS±N/A		DATE: 2023.07.01	SMPS VITA 67.3 12 Port Plug-In Module D	
			CHKD HeTong		
USED ON:			DATE: 2023.07.01		
SCALE: 3/1	DWG SIZE: A4	DO NOT SCALE DRAWING	APPD: Stone	DATE: 2023.07.01	SHT:
		SURFACE (mm ²): xx	WEIGHT (g): xx	004-VTD12D-CR	REV: A.0

1

2

3

4

5

6